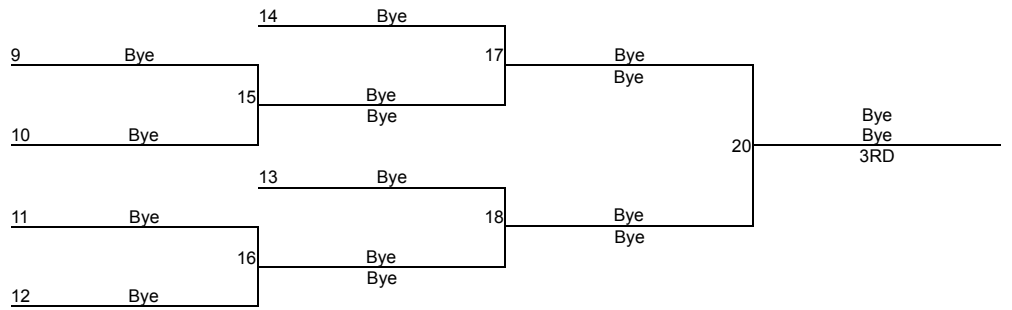
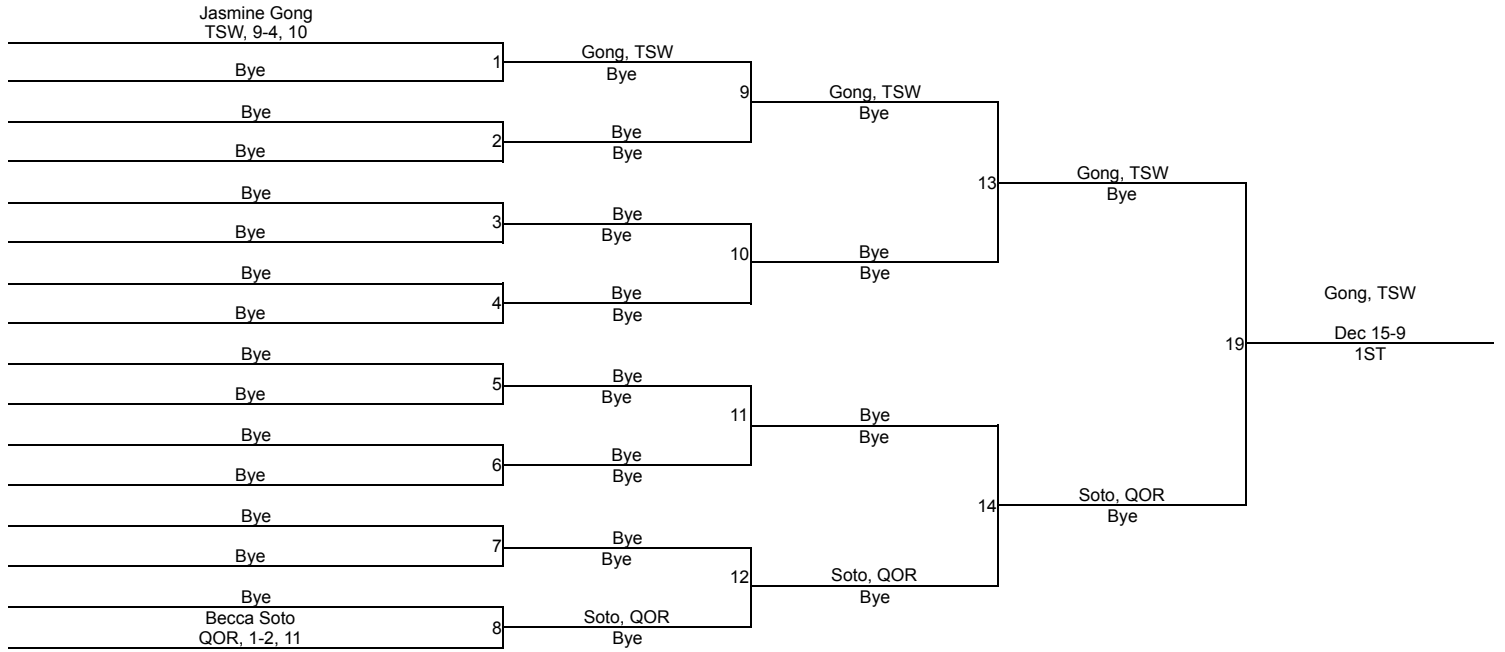


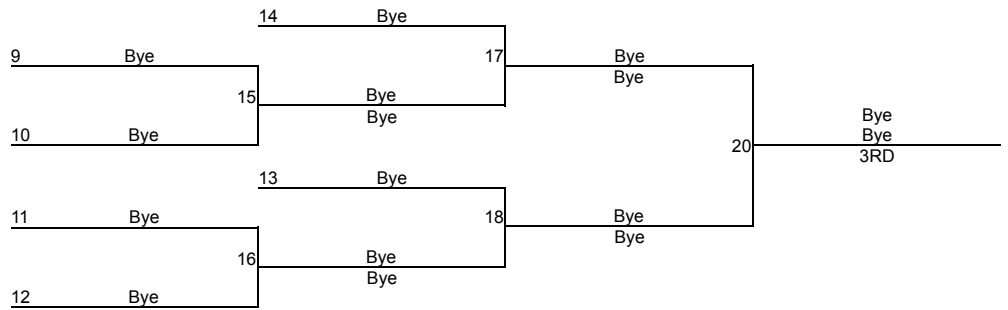
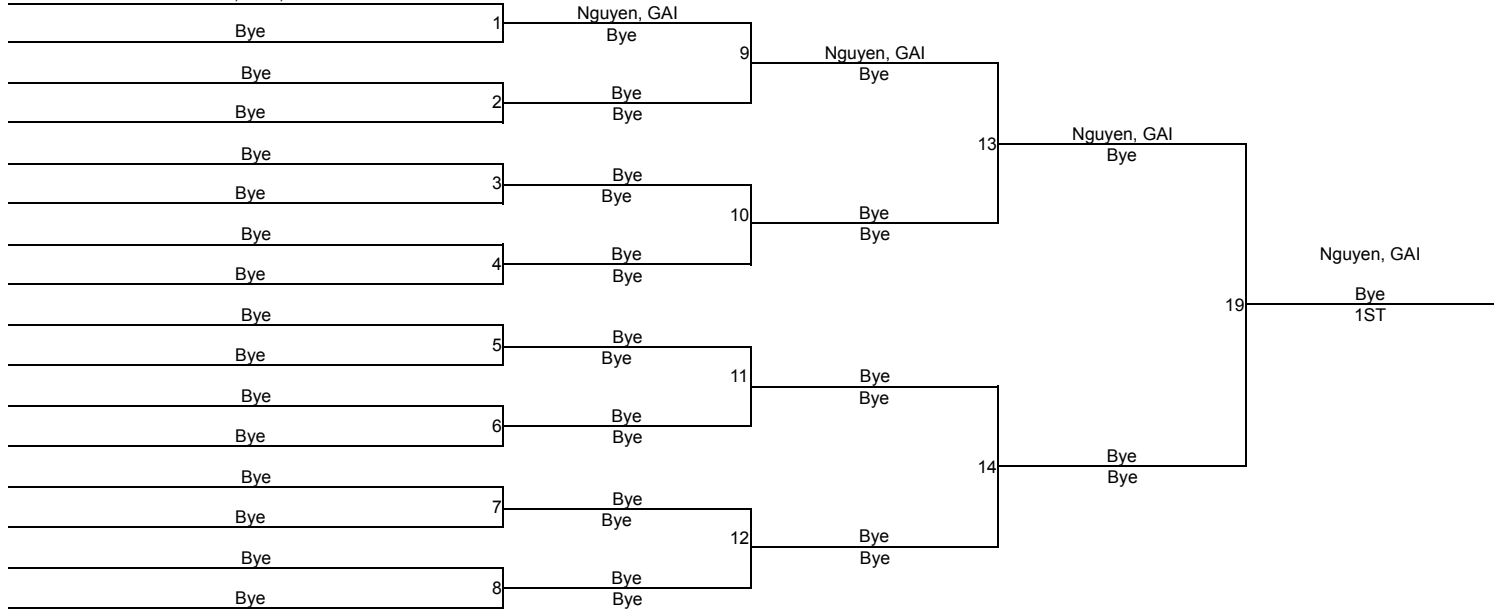
MPSSAA Girls 4A-3A West Regional

100

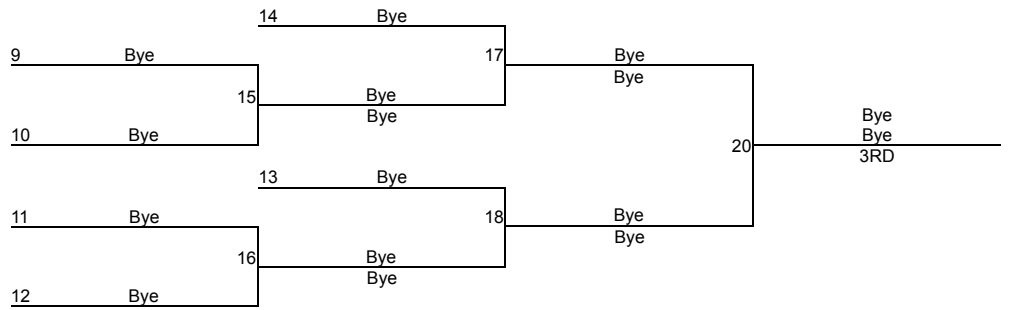
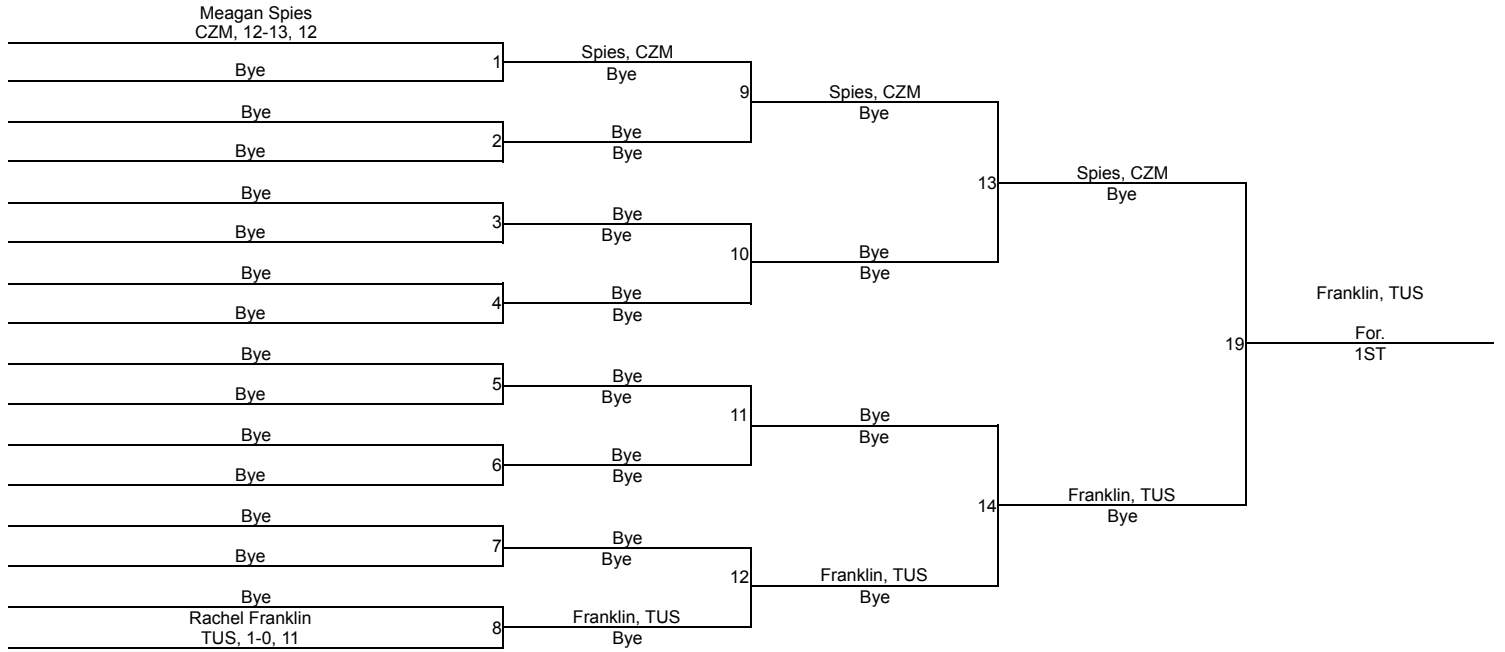


MPSSAA Girls 4A-3A West Regional

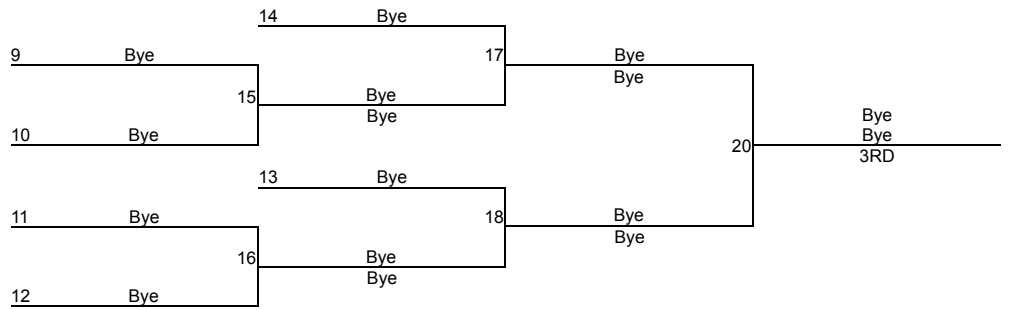
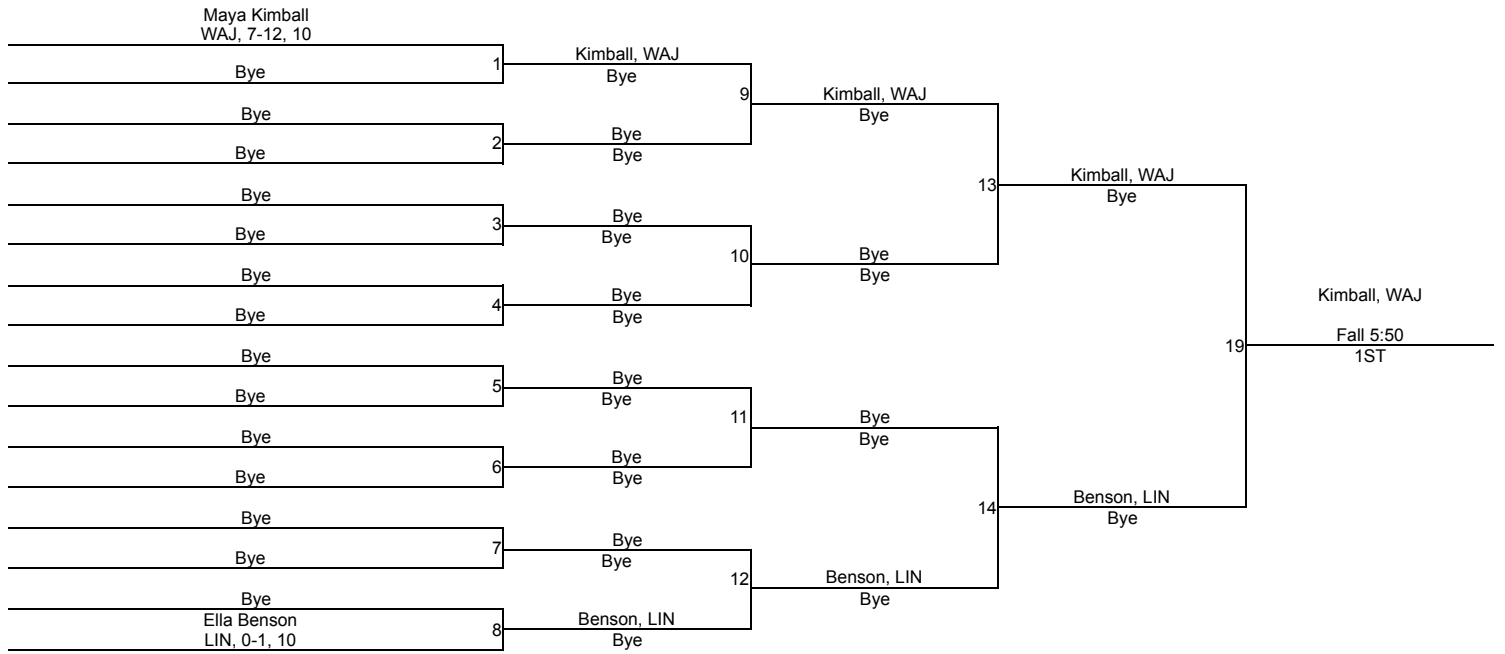
Katie Nguyen
GAI, 1-15, 12



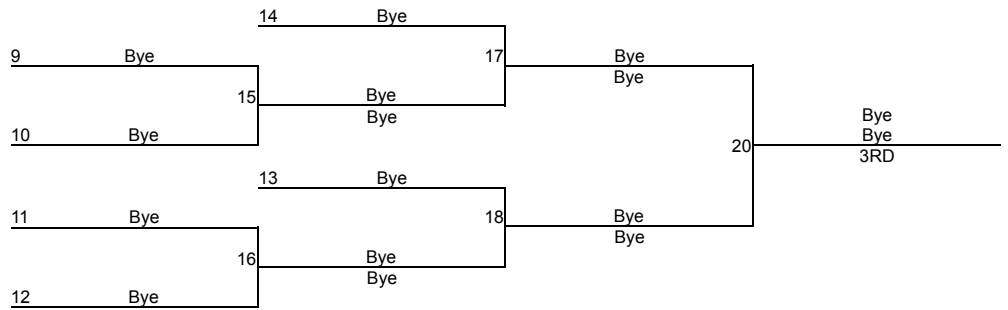
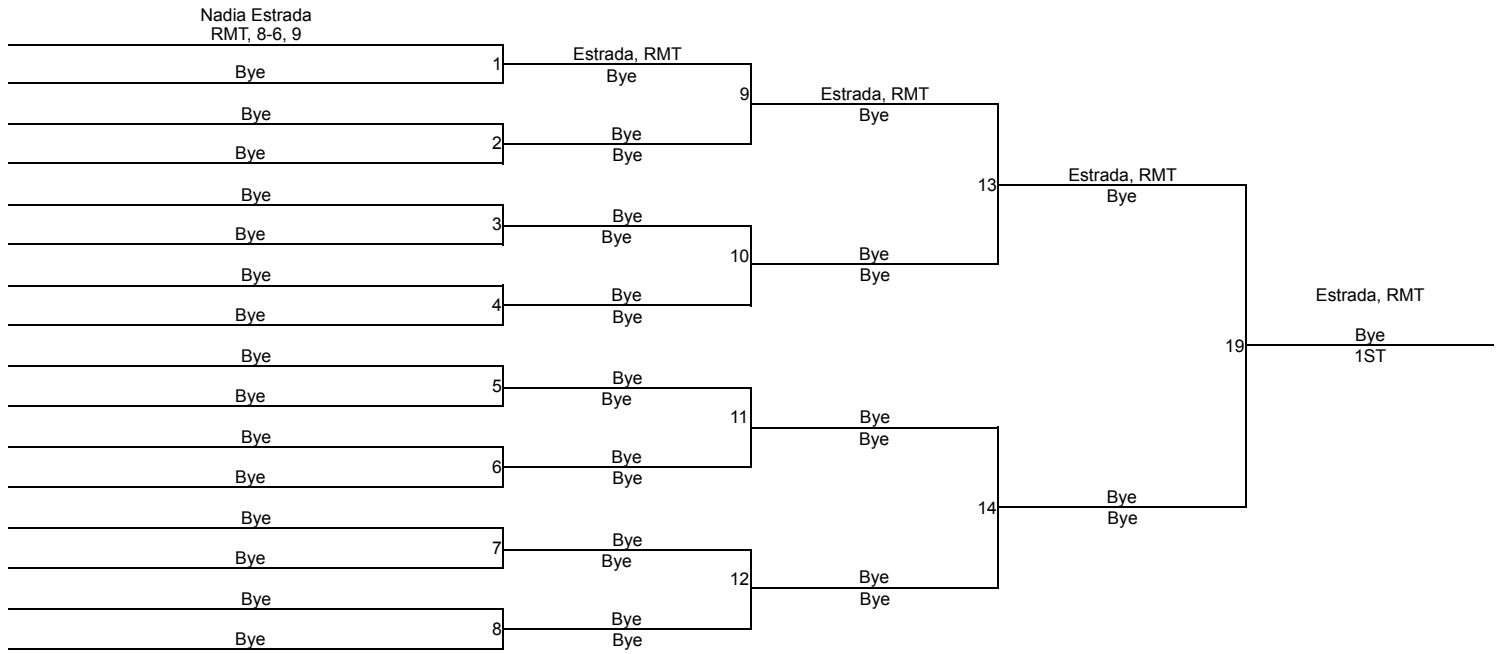
MPSSAA Girls 4A-3A West Regional



MPSSAA Girls 4A-3A West Regional

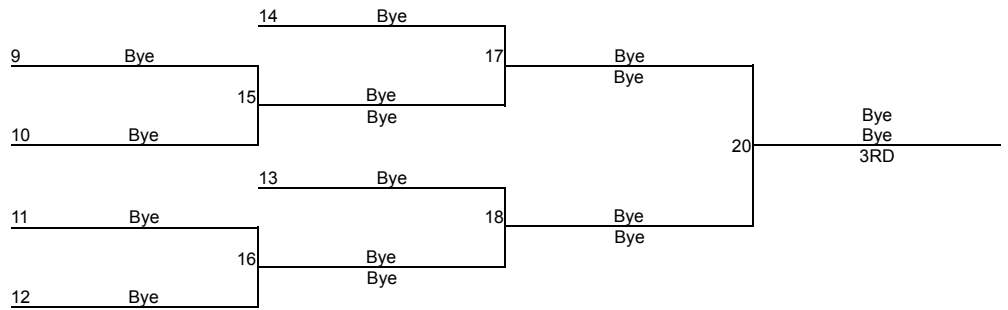
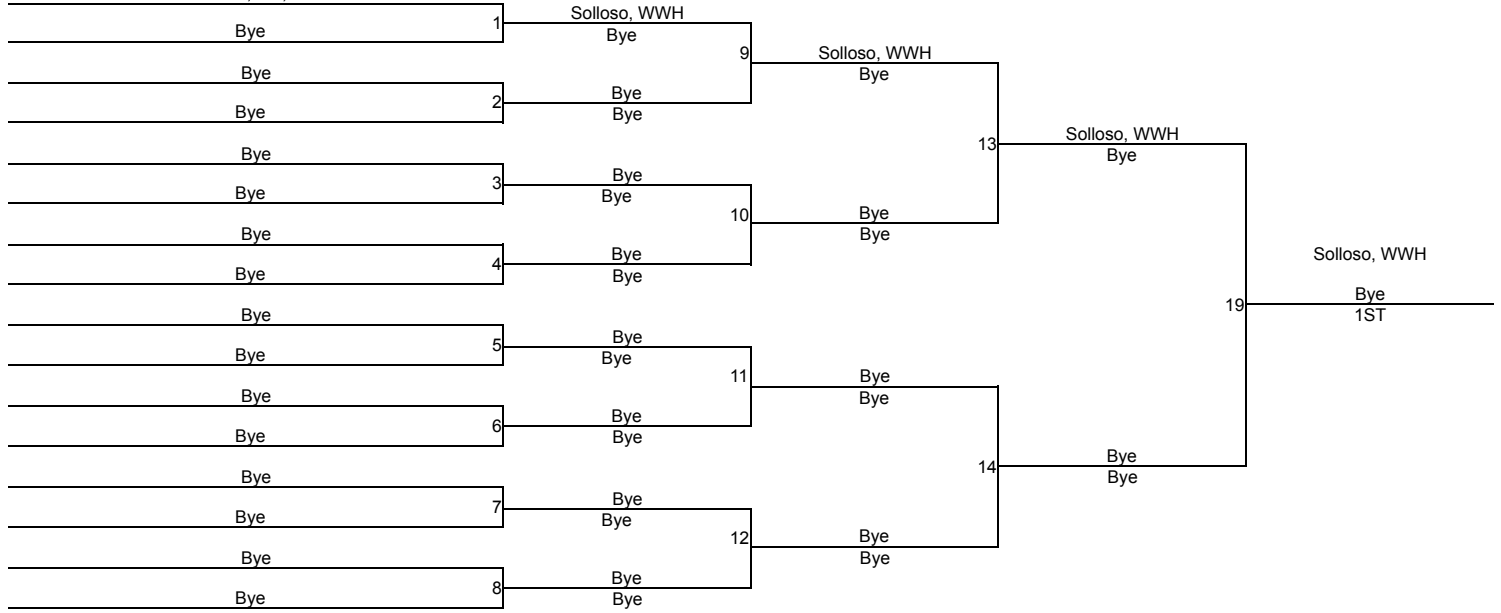


MPSSAA Girls 4A-3A West Regional



MPSSAA Girls 4A-3A West Regional

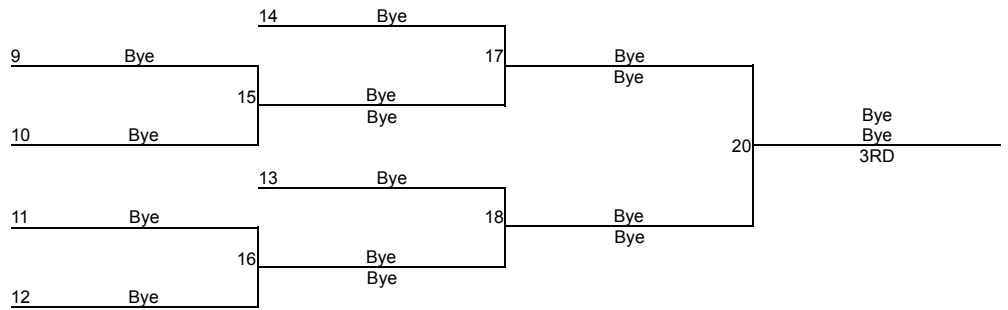
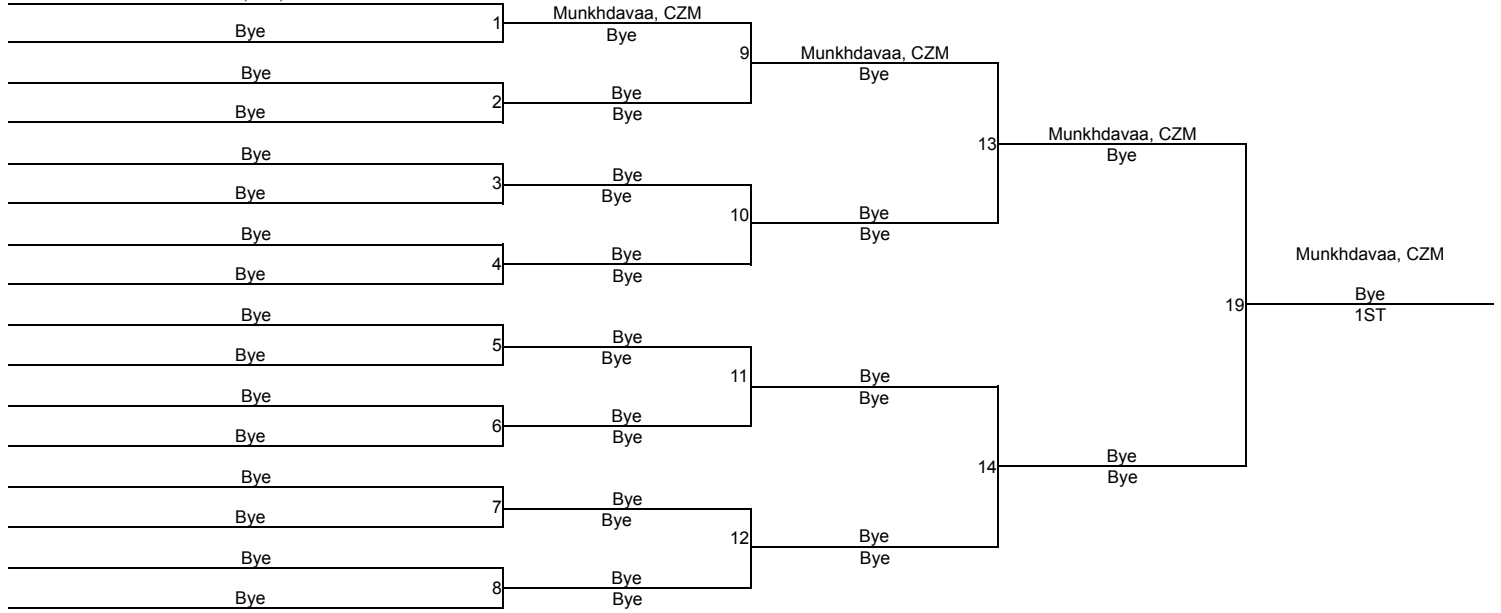
Stephanie Solloso
WWH, 4-2, 12



MPSSAA Girls 4A-3A West Regional

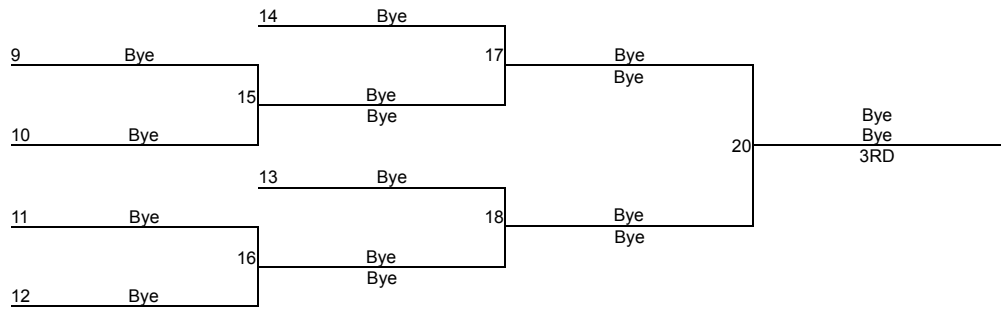
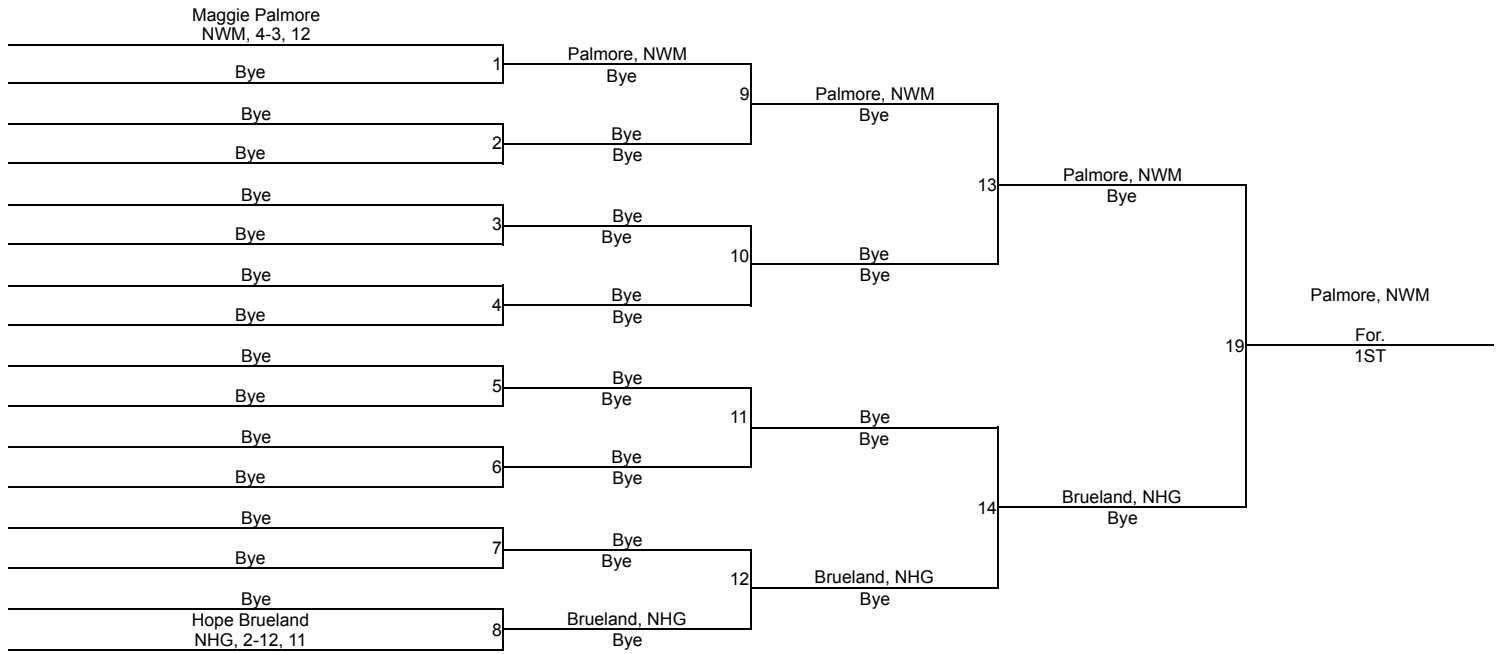
132

Agimaa Munkhdavaa
CZM, 0-0, 11

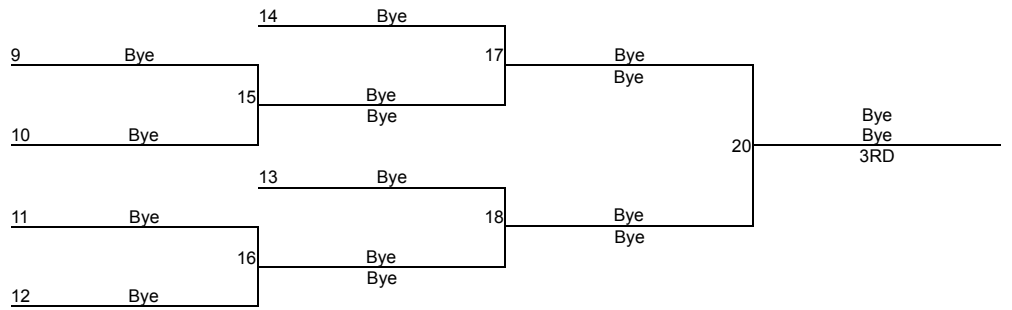
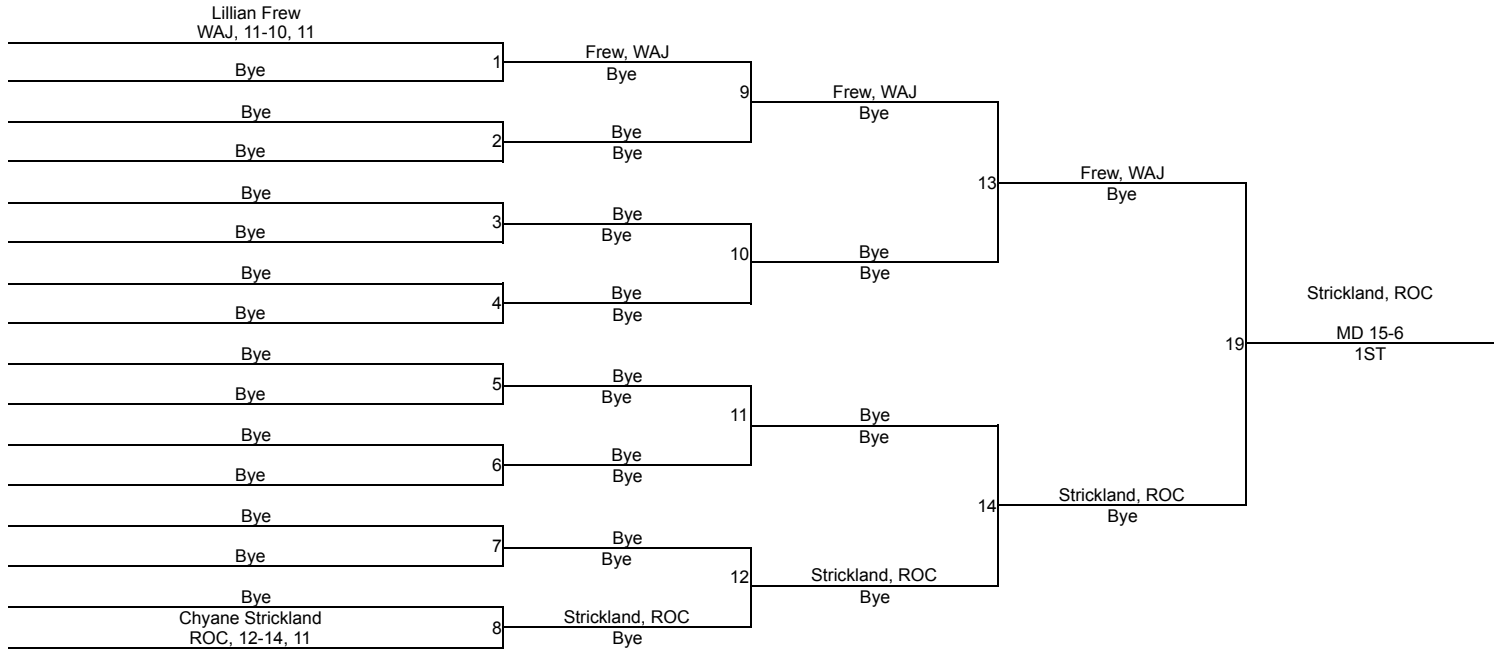


MPSSAA Girls 4A-3A West Regional

138

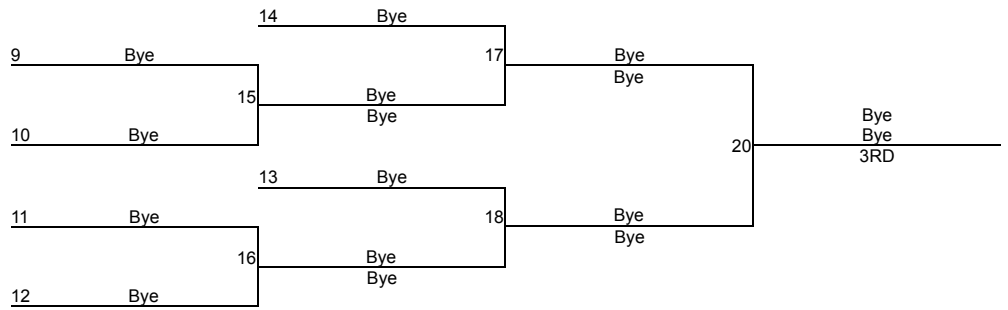
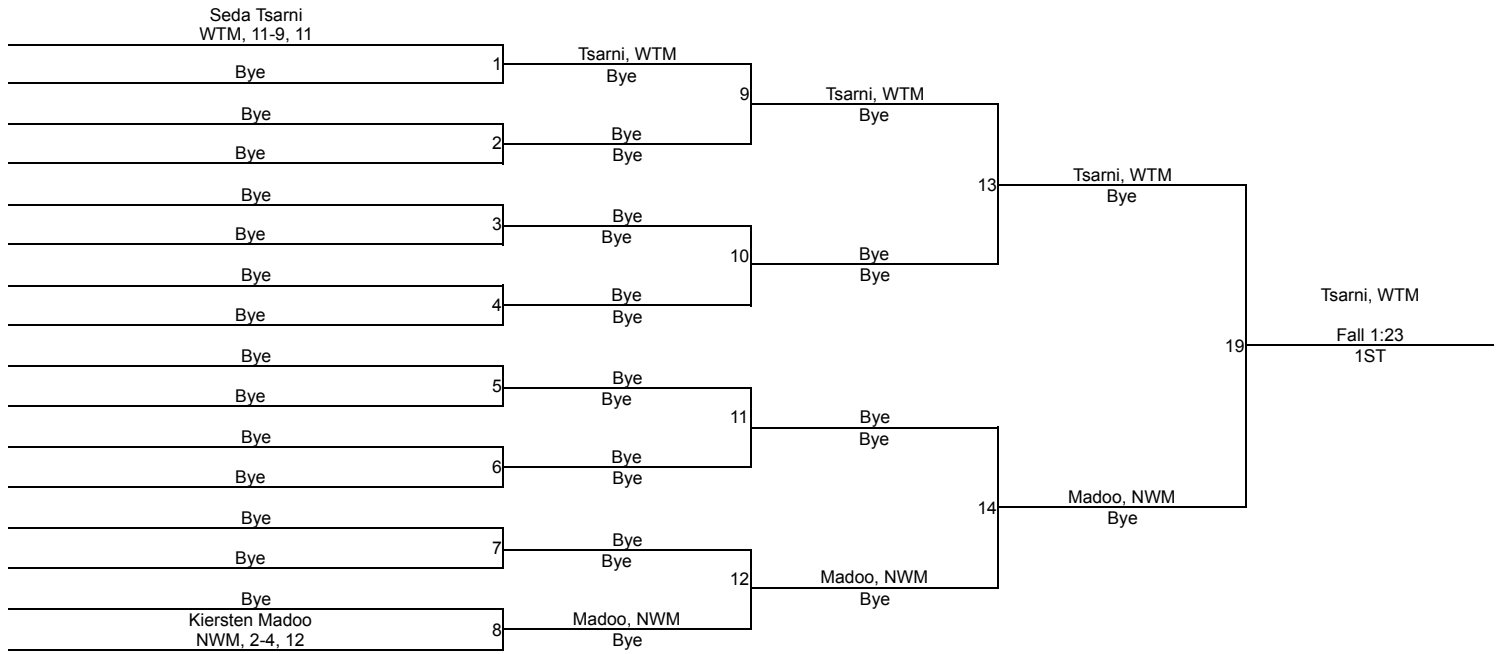


MPSSAA Girls 4A-3A West Regional



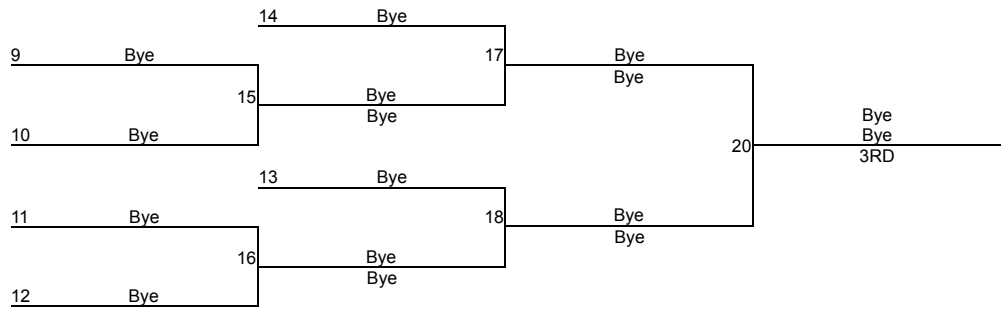
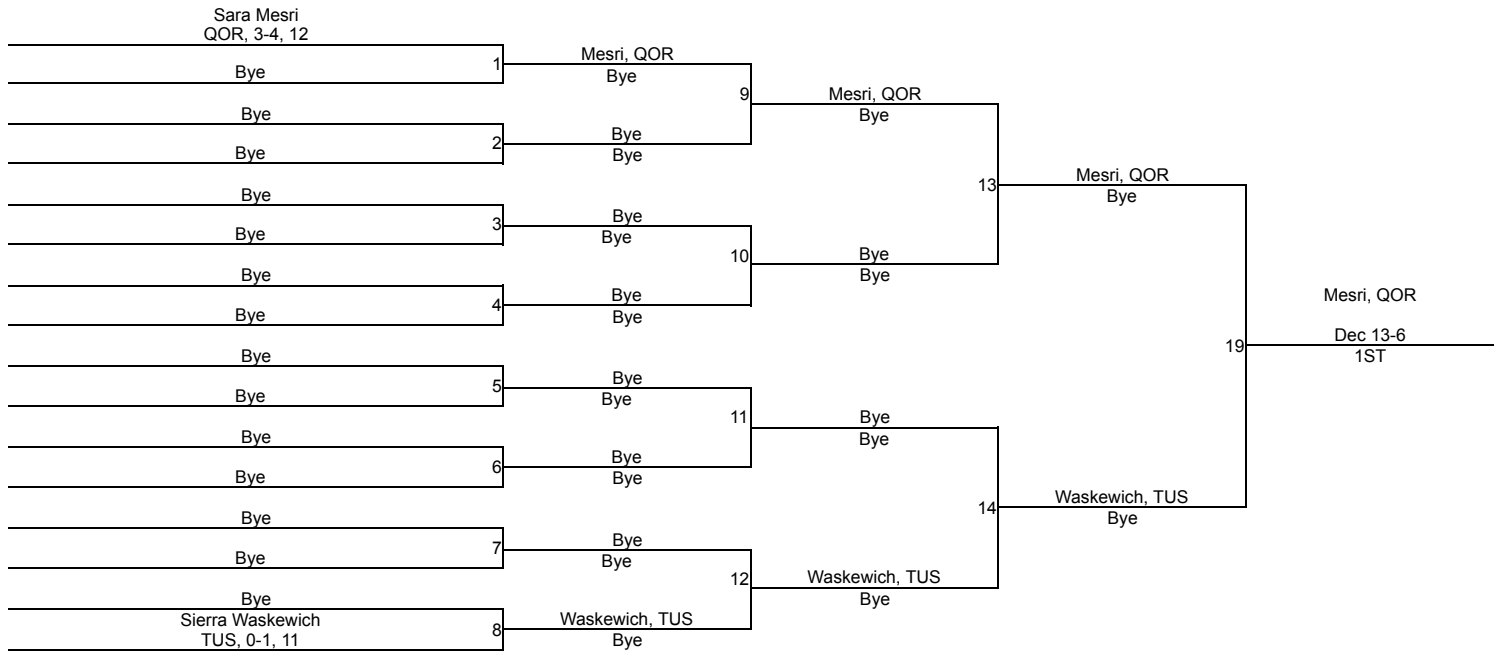
MPSSAA Girls 4A-3A West Regional

152



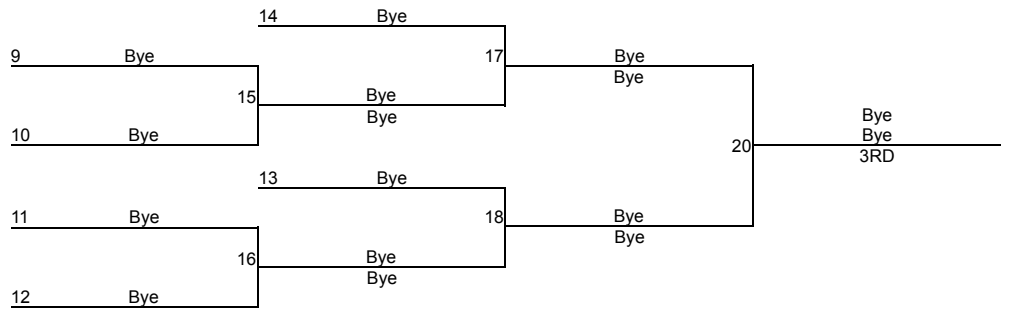
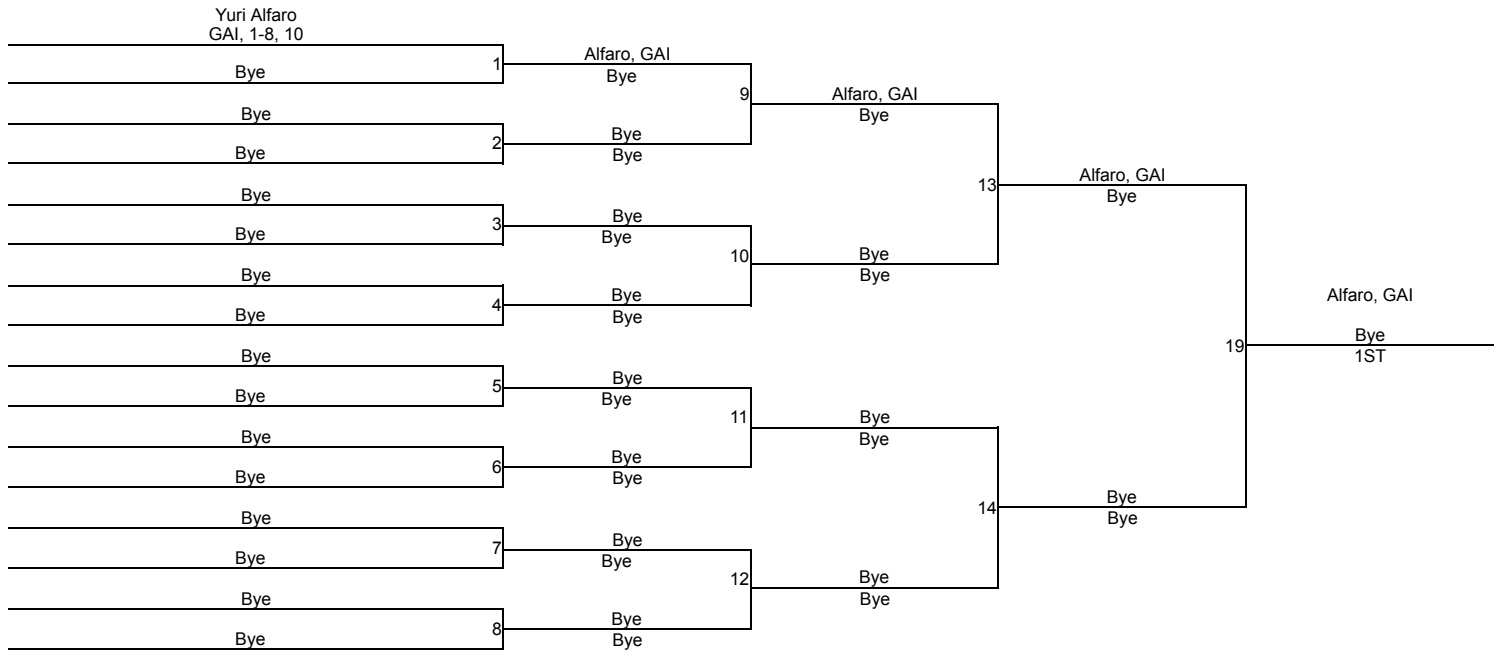
MPSSAA Girls 4A-3A West Regional

164



MPSSAA Girls 4A-3A West Regional

180



MPSSAA Girls 4A-3A West Regional

200

