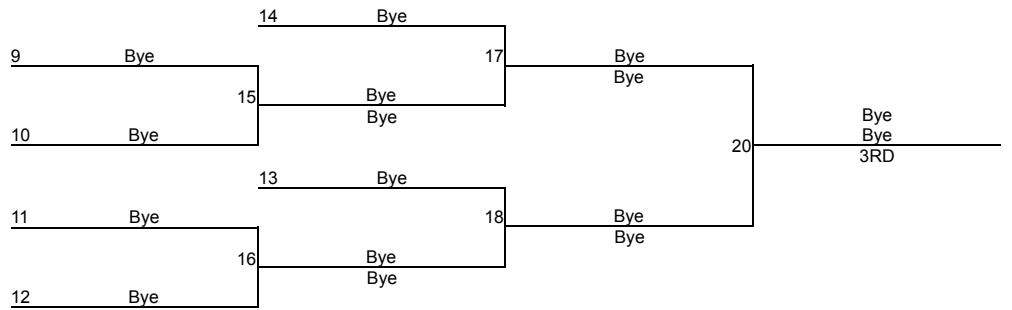
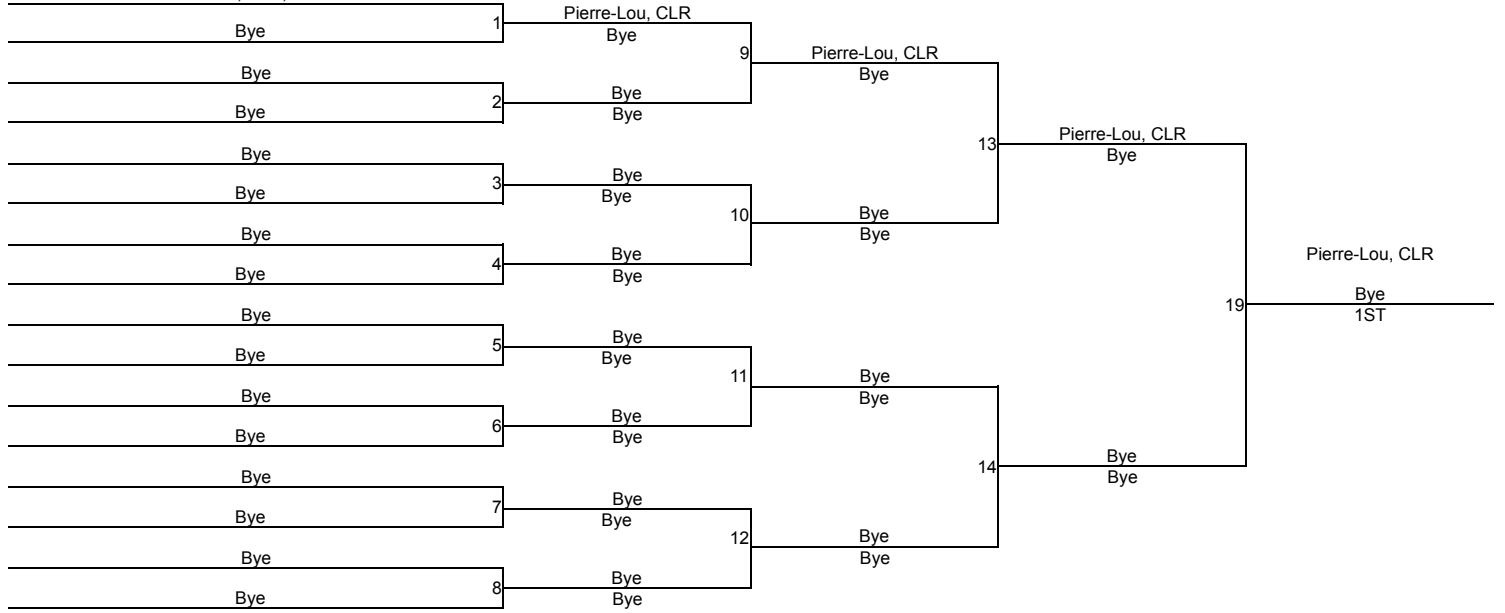


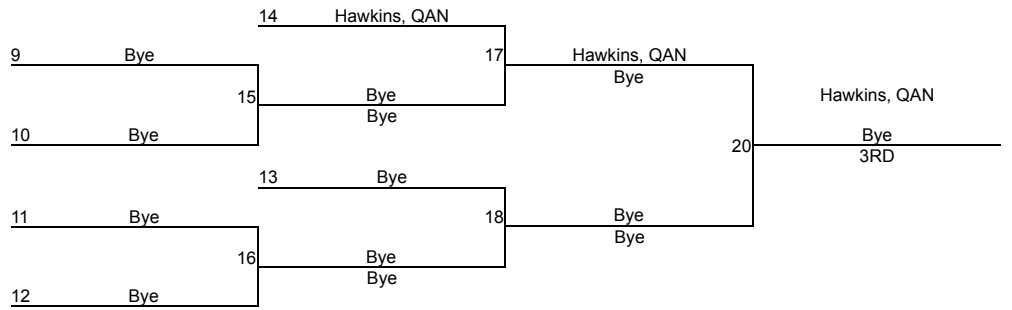
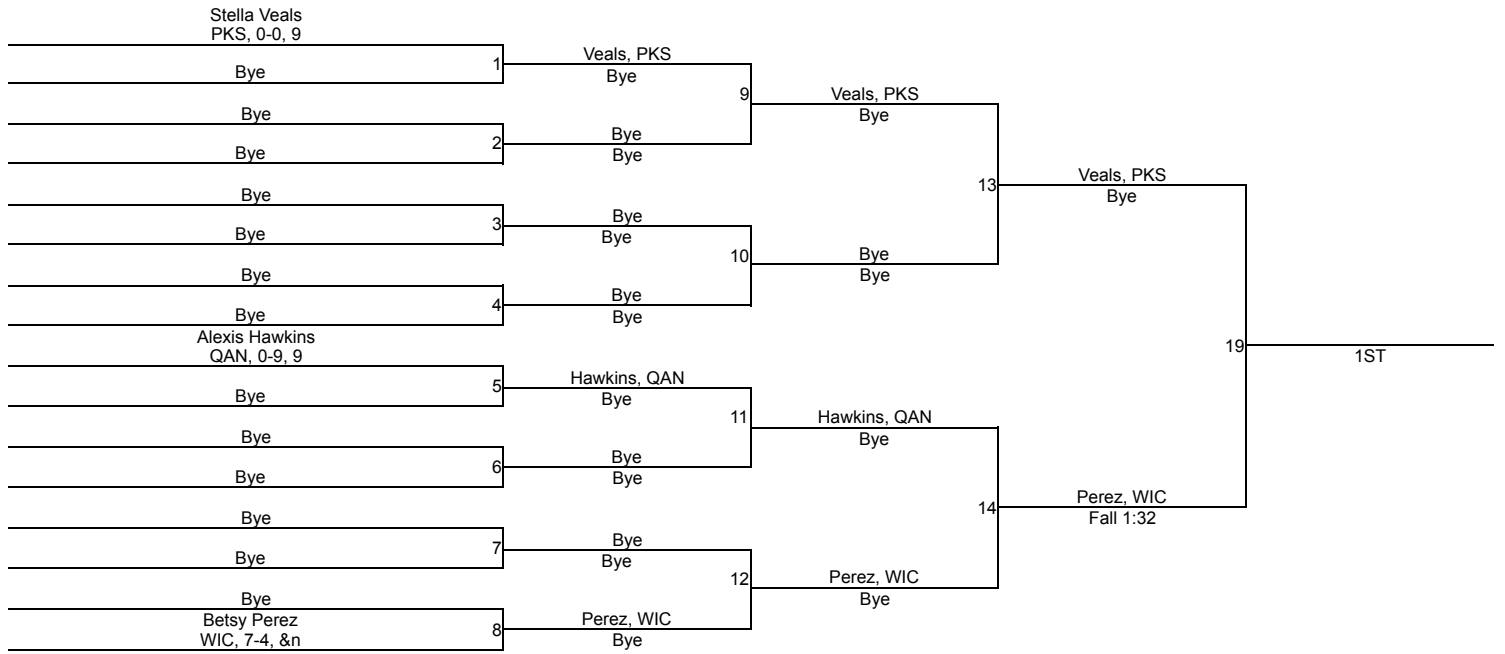
MPSSAA Girls 2A-1A East Regional

100

Sterline Pierre-Louis
CLR, 8-15, 11



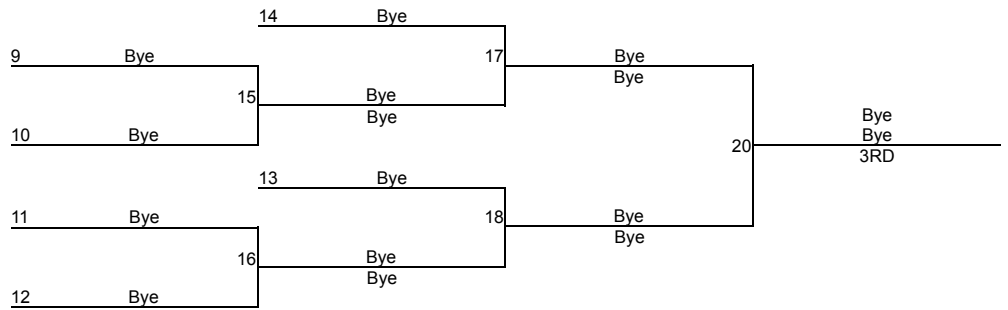
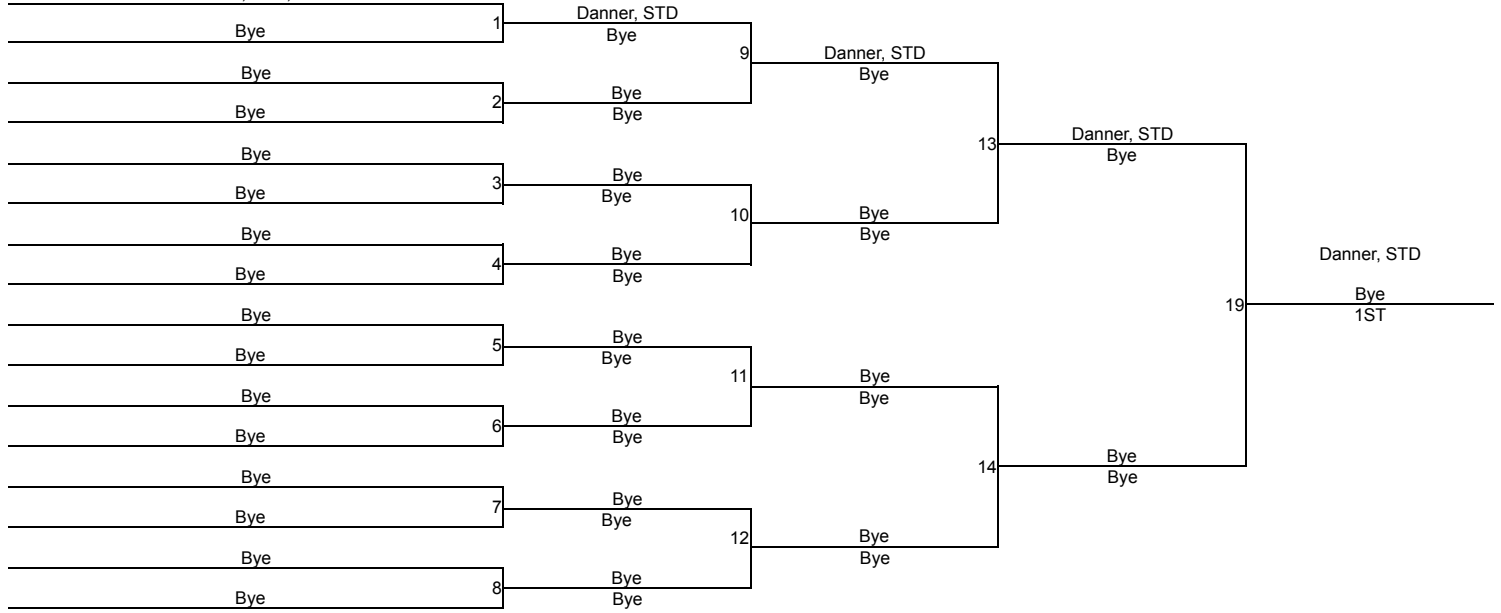
MPSSAA Girls 2A-1A East Regional



MPSSAA Girls 2A-1A East Regional

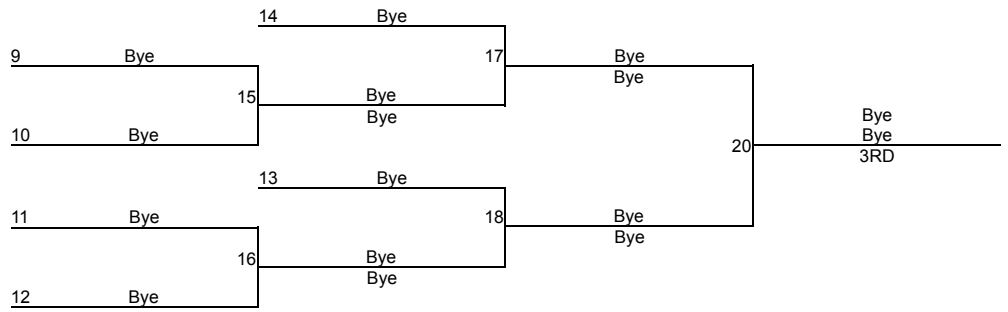
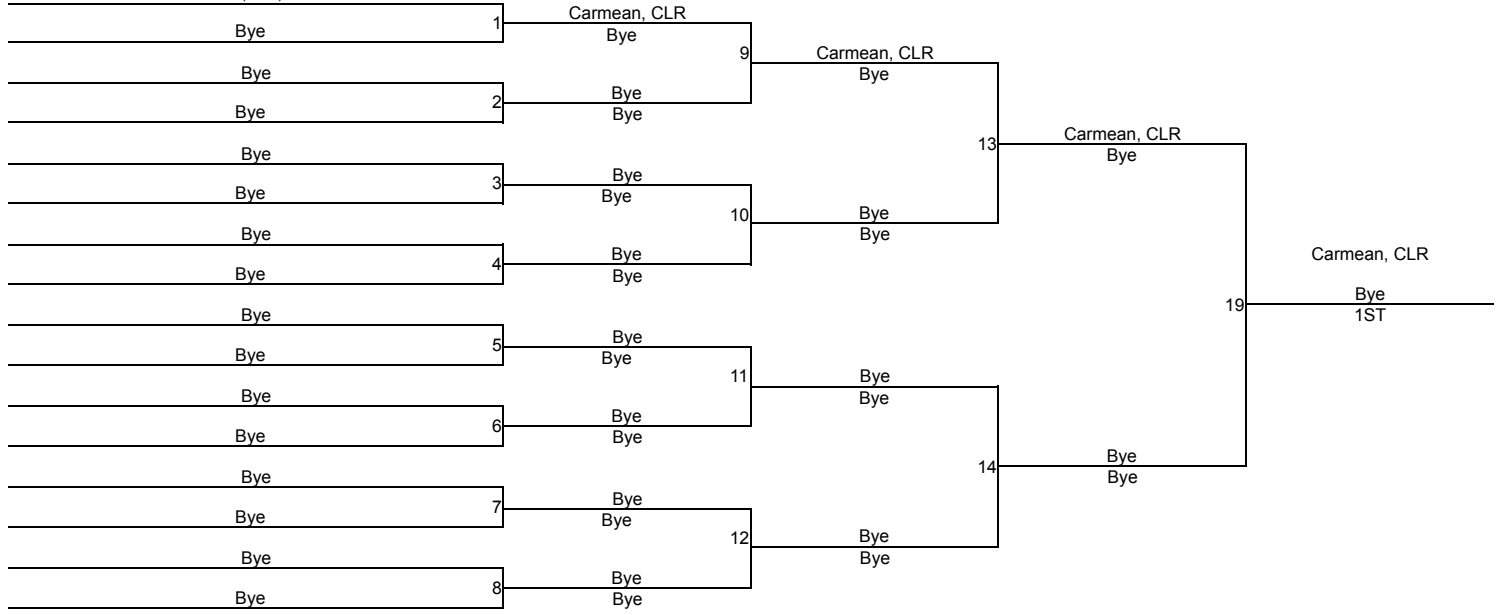
112

Jenna Danner
STD, 0-10, 9

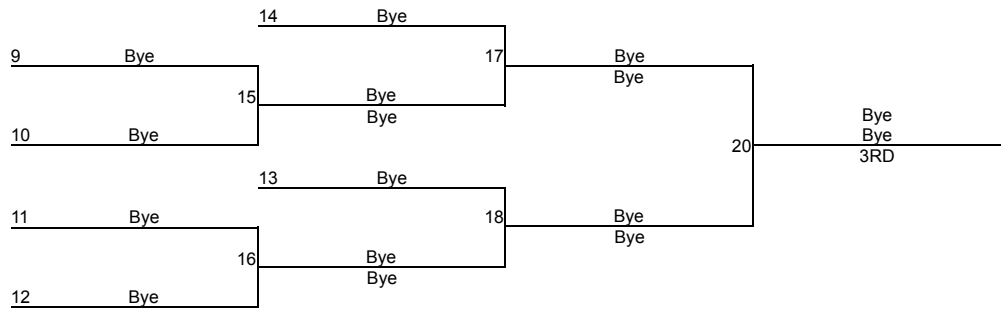
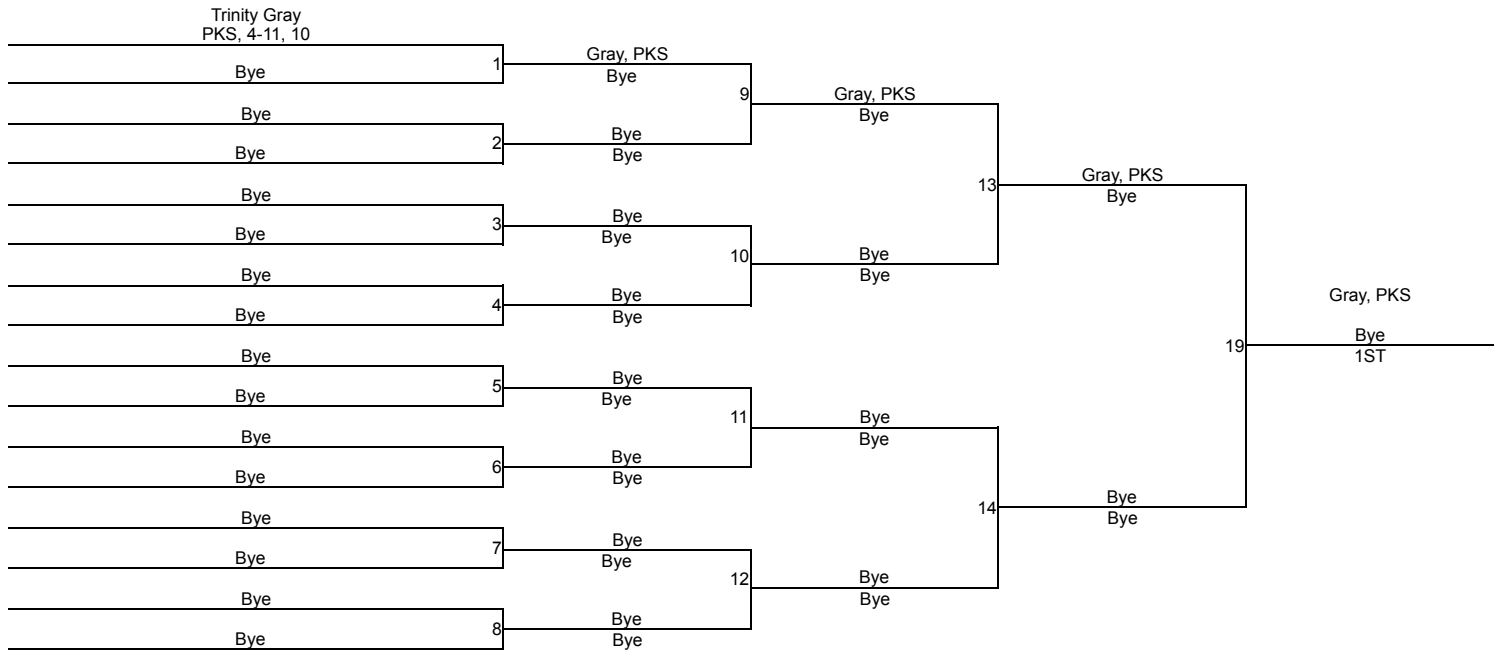


MPSSAA Girls 2A-1A East Regional

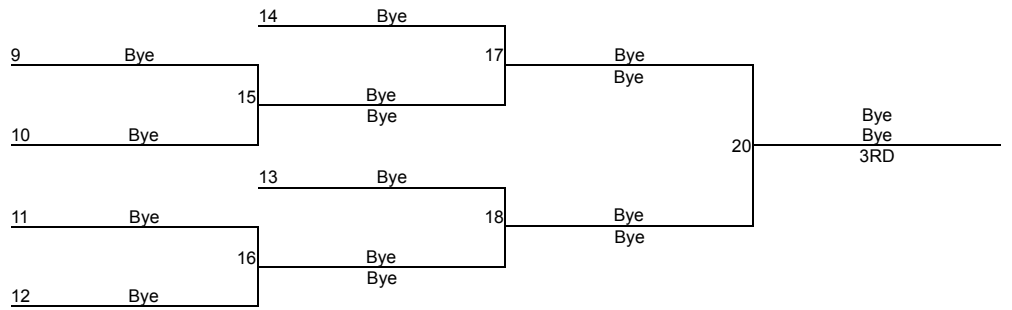
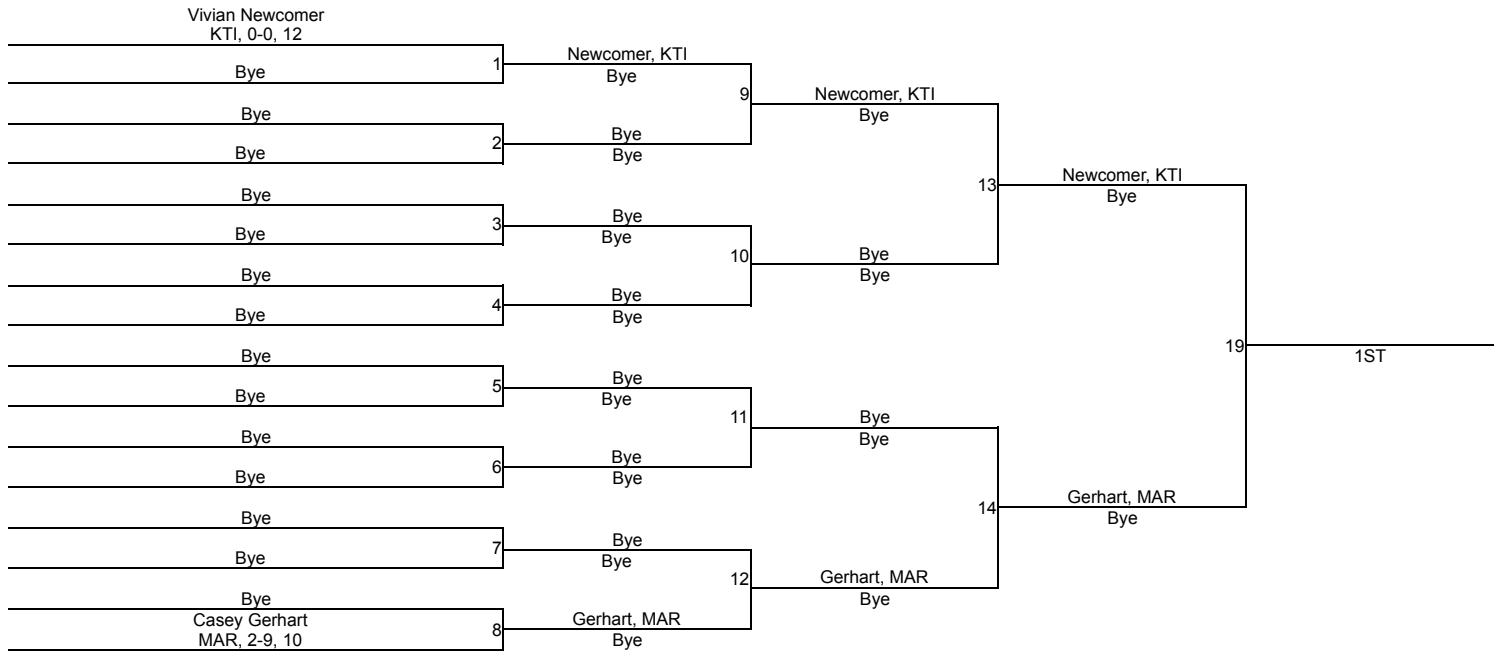
Emma Carmean
CLR, 0-0, 11



MPSSAA Girls 2A-1A East Regional



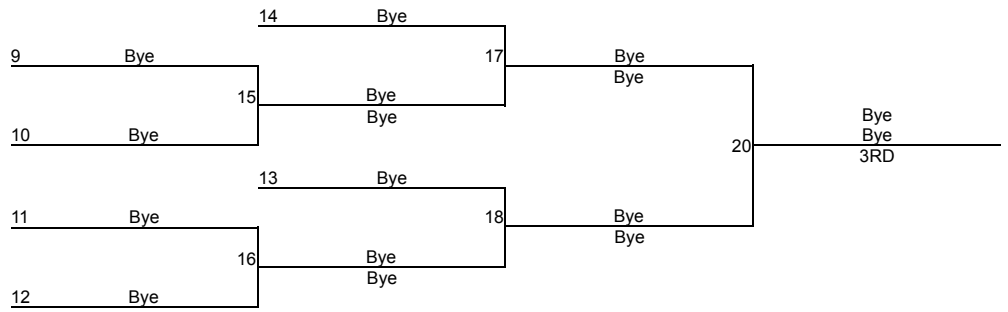
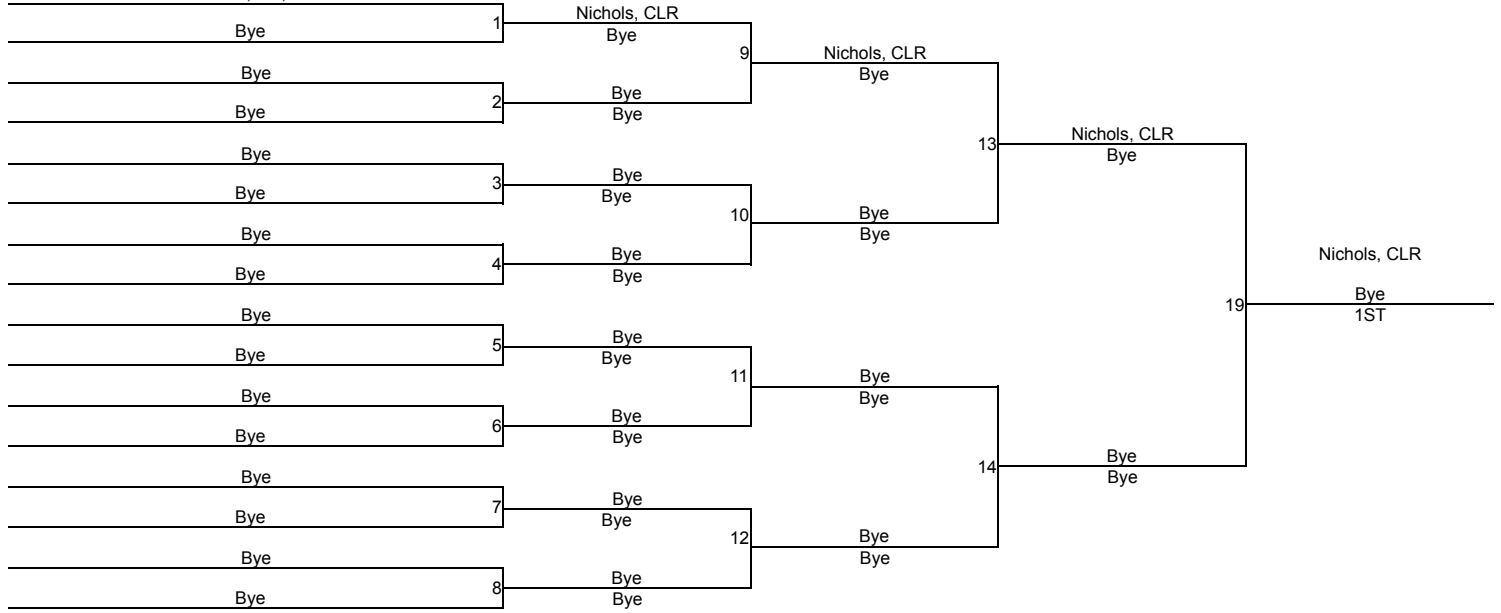
MPSSAA Girls 2A-1A East Regional



MPSSAA Girls 2A-1A East Regional

132

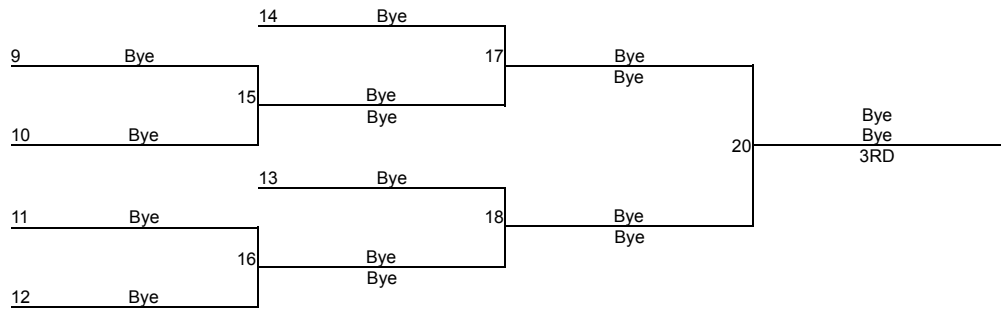
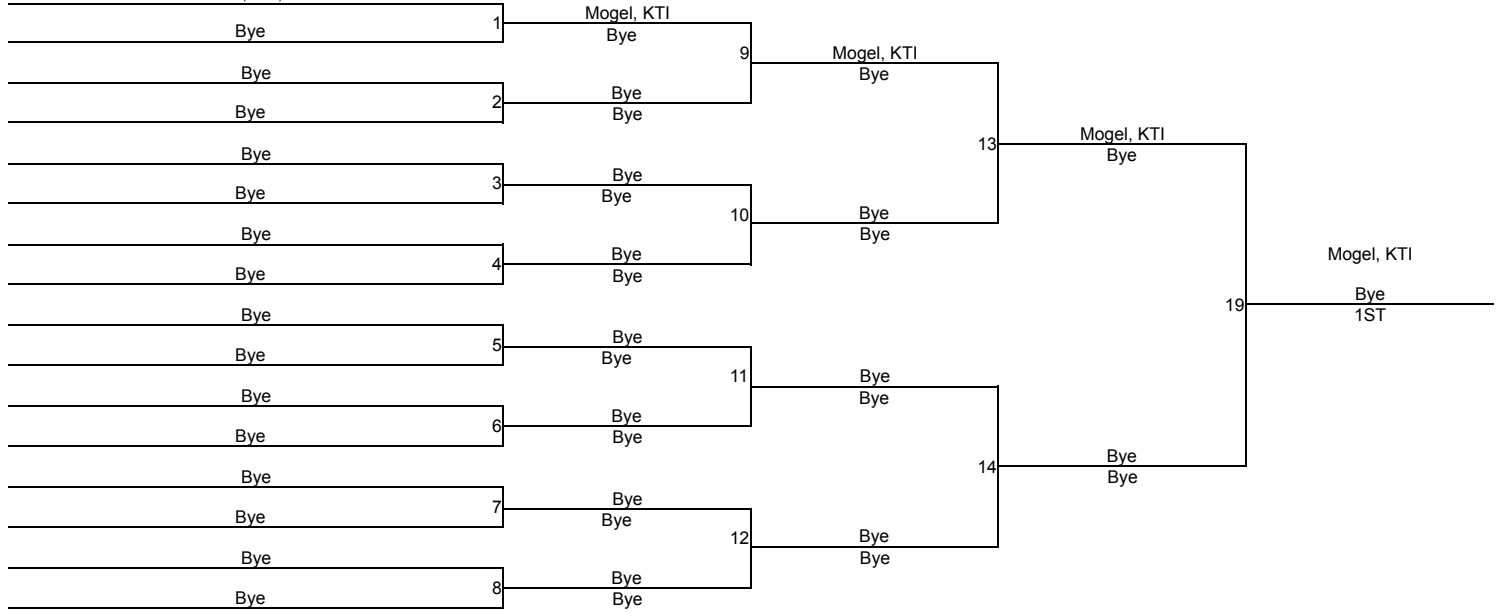
Saleta Nichols
CLR, 0-0, 9



MPSSAA Girls 2A-1A East Regional

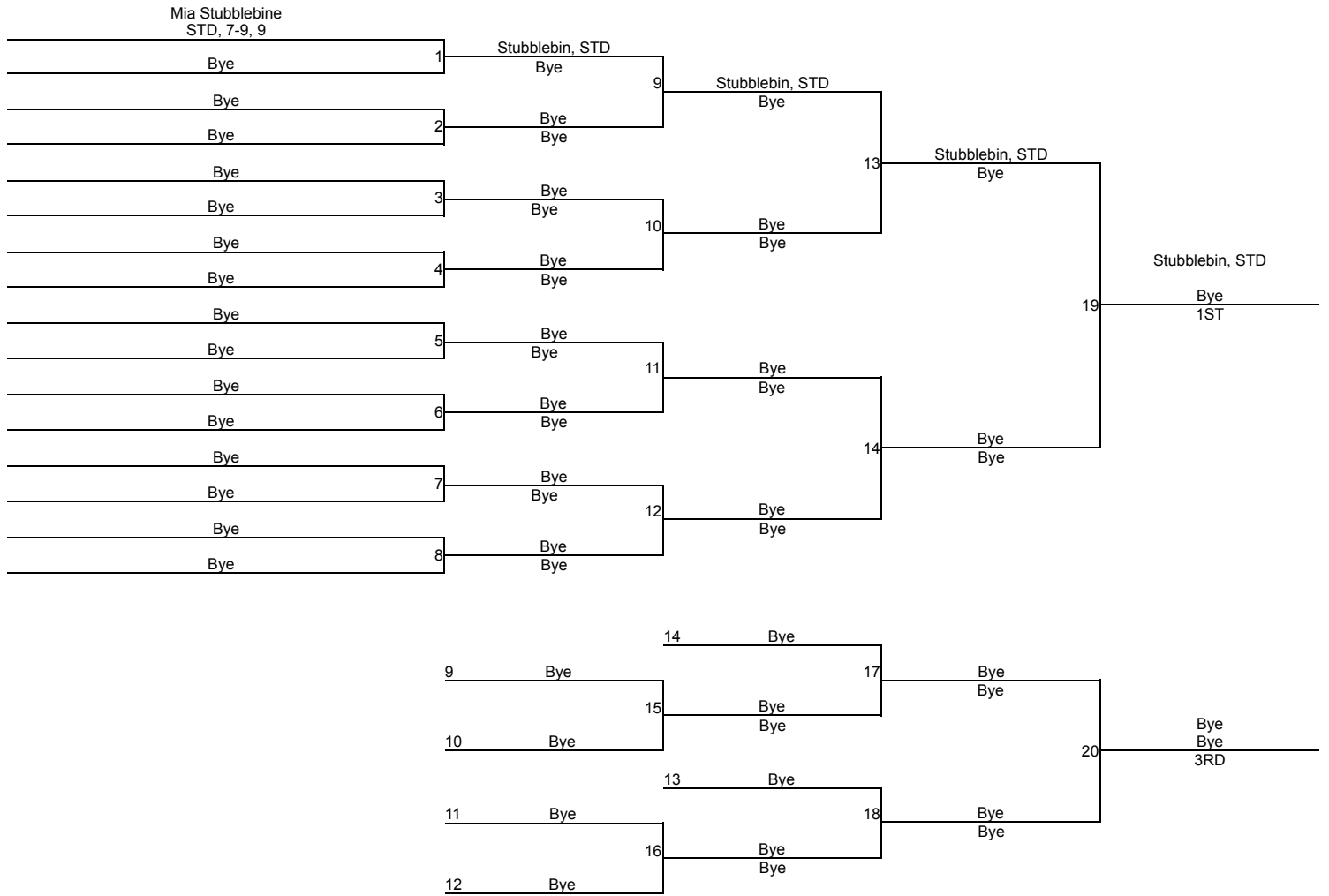
152

McKaylie Mogel
KTI, 0-0, 9



MPSSAA Girls 2A-1A East Regional

180



MPSSAA Girls 2A-1A East Regional

200

Kali Shifflett
PEV, 4-3, 10

